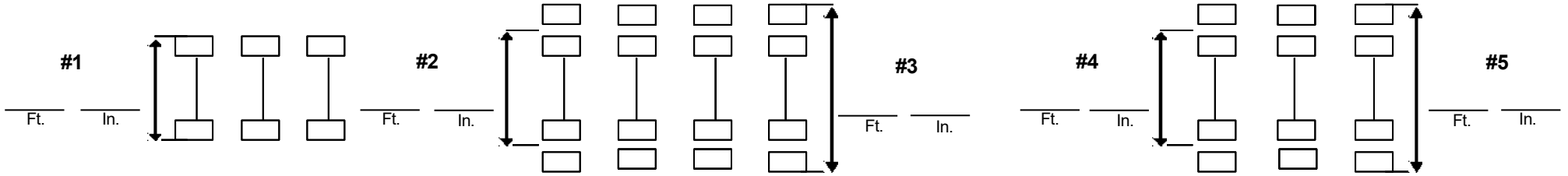


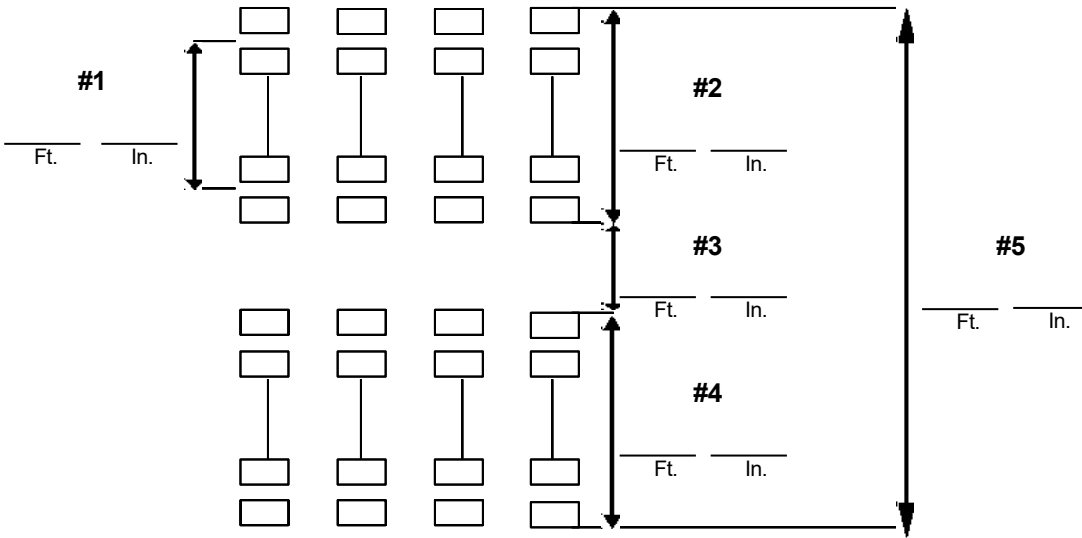
**Complete only applicable schematic.**

Company Name	Contact Name	Telephone Number	Permit ID# (when available)
--------------	--------------	------------------	-----------------------------

**Self-Propelled Vehicle Configuration (Place an X in nonapplicable track widths)**



**Dolly or Double Trailer Configuration (Place an X in nonapplicable track widths)**



**Trunnion Configuration (Place an X in nonapplicable track widths)**

